

# BLHN Series

LED Surface/Suspended Highbay Ambient Luminaire



BJ Take Inc.  
Efficient Lighting



Figure 1

**Note:** Figure 1 shows 4' fixture.

## ITEMS REQUIRED

- Square head screwdriver
- Pliers
- Hammer
- Safety glasses
- Ladder

## IMPORTANT SAFETY INSTRUCTIONS

When using electrical equipment, basic safety precautions should always be followed including the following:

- Read and follow all safety instructions.
- **DANGER** – Risk of Shock – Disconnect power before installation.
- **Product must be installed in accordance with CEC or your local electrical code.** If not familiar with these codes and requirements, consult a qualified electrician.
- Always turn off the main power supply before installation and maintenance.
- Sharp edges may cut. Handle with care.
- Save these instructions for future reference.

## INSTALLATION INSTRUCTIONS:

1. Turn off the main power supply. Carefully remove the fixture from the box.
2. If necessary, open the access panel part shown in Figure 2 with the help of a square head screwdriver

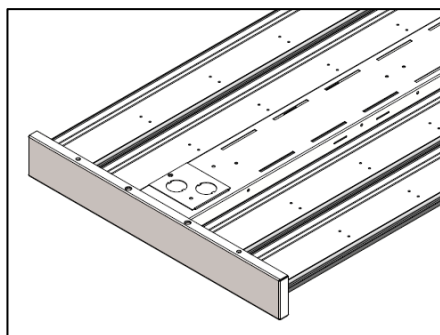


Figure 2

for power supply wiring. After unscrewing completely, pull the access panel out backwards. Keep the screw in a safe place; will be required later. Otherwise, remove one knockout from access panel part.

3. Locate the disconnect inside the fixture through the opening. Carefully, remove the half with no wires attached.

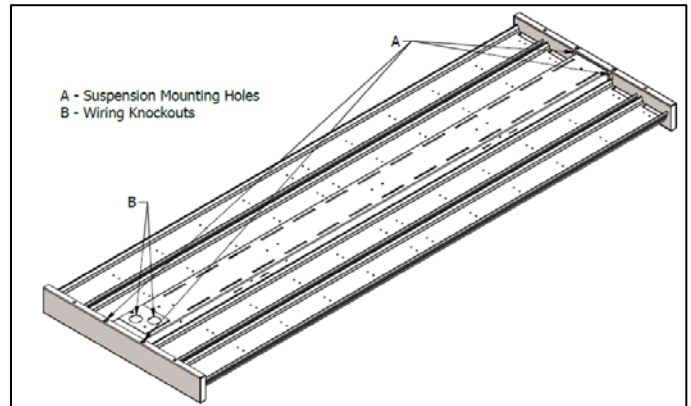


Figure 3

4. Attach the main luminaire body for suspension mounting using the holes shown by symbol A in Figure 3.

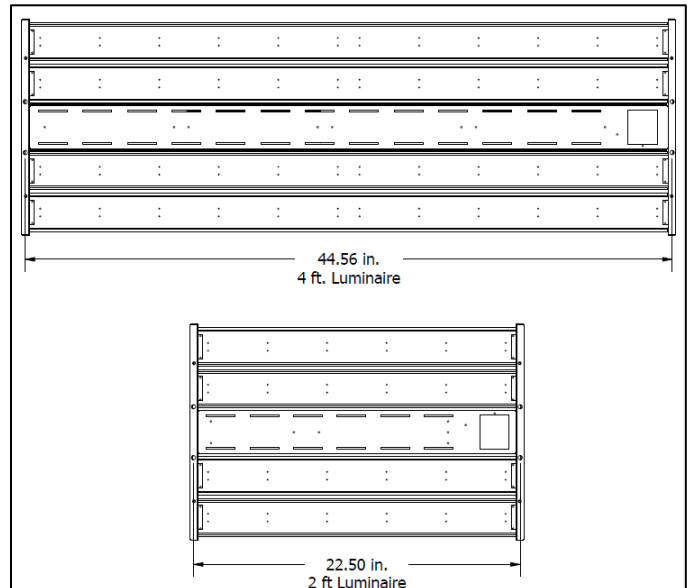


Figure 4

5. Figure 4 shows the mounting hole patterns for 2 ft., and 4ft. luminaires. **Note: All dimensions are for reference purposes only and could be changed without any prior notice.**

6. For surface mounting, firstly locate the appropriate surface where the fixture will be mounted. Now

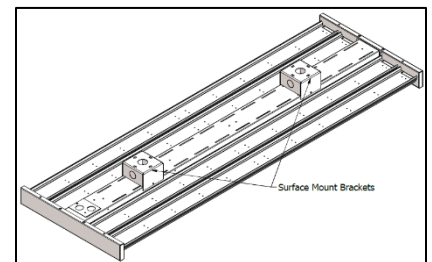


Figure 5

mount the surface brackets bought with fixture using the appropriate screws. After that attach the fixture to the surface mount brackets as shown in Figure 5. Lastly screw the fixture to the surface mounting brackets.

7. For Pendant mounting (only available with 2', firstly locate the pendant to which the fixture will be mounted. Attach the pendant bracket bought with

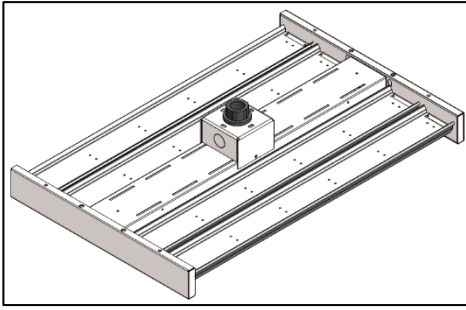


Figure 6

fixture to the mounting hub if not already attached; mount this subassembly to the pendant. Now screw both together using appropriate screws. Finish up all the wiring that's required according to the local electrical code or as per requirements. Use the wiring knockouts if needed.

8. Prepare the supply wires.
  - A. Wiring must comply with all applicable electrical codes.
  - B. Strip wires appropriate length (Recommended: 11-13mm). The intended wire size for the connections is following:
    - 2xAWG 18-12 **Solid wire** per port
    - 2xAWG 16-12<19 **Stranded wire** per port.

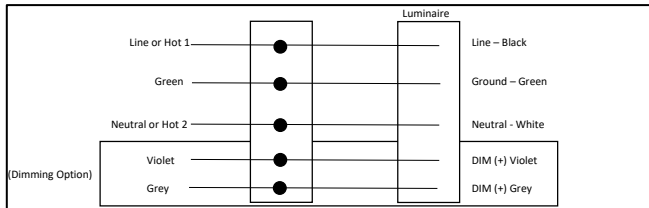


Figure 2

- C. Grip Line or Black power supply wire firmly and push the wire into the port marked with letter "B" or black circle on the connector as shown in Figure 6.
- D. Grip Neutral or White power supply wire firmly and push the wire into the port marked with letter "W" or white circle on the connector as shown in Figure 6.
- E. Connect green supply wire with green lead of the luminaire.
- F. If the luminaire comes equipped with dimming options. Wire accordingly:
  - Grip the positive or violet supply wire and connect with the violet dimming positive lead of the luminaire.
  - Grip the negative or grey supply wire and connect with the grey dimming negative lead of the luminaire.

**NOTE: If a wire is connected incorrectly, it can be easily removed by firmly gripping the wire you want to remove and twisting the electrical disconnect.**

9. Neatly tuck in all the excess wire through the hole in access panel into the main channel housing. Reattach the access panel part back again, if was removed in Step 3.